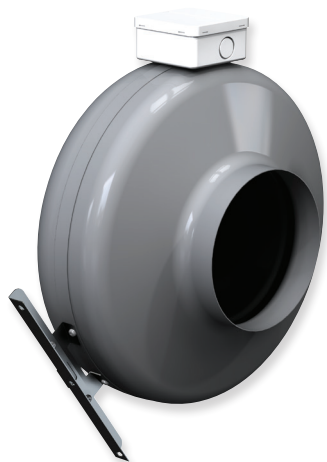


VKA EKO



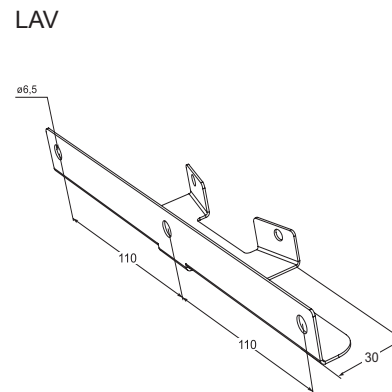
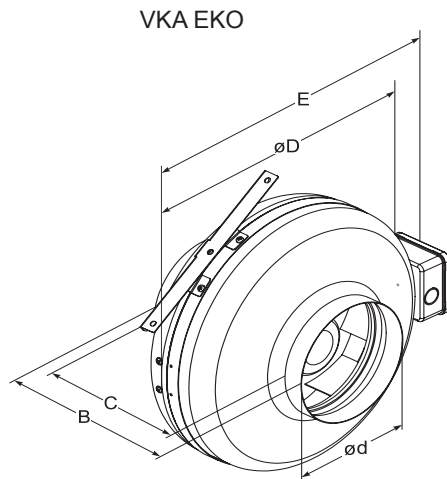
Features	<ul style="list-style-type: none"> › Diameter - 125 mm to 315 mm; › Airflow up to 1320 m³/h; › Easily mounted in any position; › Backward-curved impeller; › Fan speed 100% controllable via 0-10 V signal; › Energy efficient.
Power supply	230V/50Hz/1f.
Temperature range	From -25°C up to 45/60°C, depending on size.
Sizes	125, 160, 200, 250, 315.
Construction	<ul style="list-style-type: none"> › Casing: galvanized sheet steel, powder coating RAL 7035; › Fan: centrifugal impeller and external rotor motor; › Motor protection integrated into motor electronics; › Motor protection class: IP54; › Terminal box protection class: IP55.
Installation	<p>Mounting with ducts: Spiro, flexible aluminium or plastic. Mounting bracket LAV is included.</p> <p>Device can only be used indoors.</p> <p>Not suitable for polluted air or volatile and explosive gases.</p>
Speed control options	<ul style="list-style-type: none"> › 10 kΩ potentiometer; › External signal 0-10 VDC/PWM with user controller. › Can be connected directly to optional constant pressure sensors, CO₂, RH or an on/off switch.

VKA 125 EKO



Accessories

0-10V speed controller	Controller	Mounting clamp	Guard grille	Back draft shutter	Circular duct silencer
MTP010 p. 128	Stouch p. 130	AP p. 189	AGO p. 181	RSK p. 177	AKS SAKS p. 174



Type	Dimensions [mm]				
	B	C	øD	ød	E
VKA 125 EKO	207	175 ± 2	245	125	290
VKA 160 EKO	200	160 ± 2	245	160	290
VKA 200 EKO	240	190 ± 2	345	200	390
VKA 250 EKO	245	185 ± 2	345	250	390
VKA 315 EKO	250	180 ± 2	400	315	445

Type	Accessories							
	MTP010	Stouch	S-RCO2-F2 S-KCO2	S-RFF-U-D-F2 S-KFF-U	AP AGO	RSK AKS	FD FDI	EKA AVS AVA
VKA 125 EKO	+	+	+	+	125	125	125	125
VKA 160 EKO	+	+	+	+	160	160	160	160
VKA 200 EKO	+	+	+	+	200	200	200	200
VKA 250 EKO	+	+	+	+	250	250	250	250
VKA 315 EKO	+	+	+	+	315	315	315	315

CO2 sensor

Humidity sensor

CO2 sensor



Filter cassette

Electric duct heater

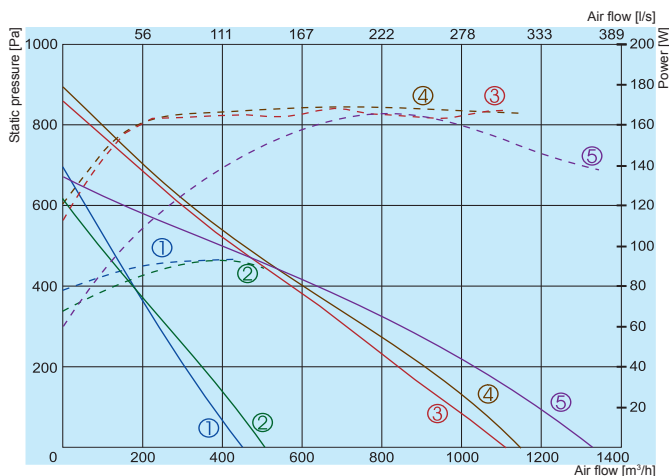
Heating coil

Duct water cooler

Filter cassette

Humidity sensor





- ① VKA 125 EKO
- ② VKA 160 EKO
- ③ VKA 200 EKO
- ④ VKA 250 EKO
- ⑤ VKA 315 EKO

— Performance
 - - - Power consumption

		125 EKO	160 EKO	200 EKO	250 EKO	315 EKO
Voltage/Frequency	[V/Hz]	230/50	230/50	230/50	230/50	230/50
Power consumption	[kW]	0,085	0,083	0,170	0,170	0,166
Current	[A]	0,87	0,88	1,59	1,32	1,56
Speed	[min ⁻¹]	3200	3200	3210	3210	2550
Max. airflow	[m ³ /h]	440	500	1100	1150	1320
Min./Max. air temperature	[°C]	-25/60	-25/60	-25/45	-25/45	-25/60
Weight	[kg]	2,1	2,2	3,7	3,6	4,6
Wiring diagram		No. 1	No. 1	No. 1	No. 1	No. 1
Protection class:	motor	IP-54	IP-54	IP-54	IP-54	IP-54
	terminal box	IP-55	IP-55	IP-55	IP-55	IP-55
Comply with ERP		2018	2018	2018	2018	2018

125 EKO

LWA total, dB(A)	Lwa, dB(A)						
	125 Hz	250 Hz	500 Hz	1 kHz	2 kHz	4 kHz	8 kHz
In duct	69	47	54	62	65	64	42
Surrounding	55	30	32	46	53	49	34

Measured at 383 m³/h, 81 Pa

160 EKO

LWA total, dB(A)	Lwa, dB(A)						
	125 Hz	250 Hz	500 Hz	1 kHz	2 kHz	4 kHz	8 kHz
In duct	72	49	65	67	68	62	52
Surrounding	59	32	48	52	56	49	38

Measured at 445 m³/h, 82 Pa

200 EKO

LWA total, dB(A)	Lwa, dB(A)						
	125 Hz	250 Hz	500 Hz	1 kHz	2 kHz	4 kHz	8 kHz
In duct	75	56	63	69	71	66	58
Surrounding	59	27	35	48	55	53	47

Measured at 974 m³/h, 100 Pa

250 EKO

LWA total, dB(A)	Lwa, dB(A)						
	125 Hz	250 Hz	500 Hz	1 kHz	2 kHz	4 kHz	8 kHz
In duct	77	59	68	73	70	67	60
Surrounding	60	32	34	50	58	52	46

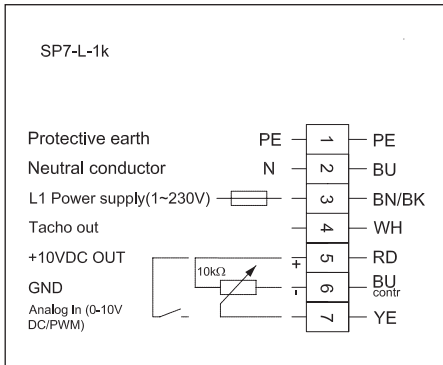
Measured at 1049 m³/h, 100 Pa

315 EKO

LWA total, dB(A)	Lwa, dB(A)						
	125 Hz	250 Hz	500 Hz	1 kHz	2 kHz	4 kHz	8 kHz
In duct	78	57	69	74	71	68	59
Surrounding	62	33	37	52	59	56	45

Measured at 1193 m³/h, 99 Pa

The fan characteristic curves were determined in accordance with EN ISO 5801. The sound levels were determined in accordance with DIN 45635 resp. ISO 3744 at a distance of 1 m from the fan.



Wiring diagram No. 1 (1~230V)

PE - green - yellow

BU - blue

BK - black

RD - red

YE - yellow

WH - white