



SMT-D | control switch

These control switches are to be used in combination with EC motors from which the 10 V supply voltage is converted into three steps to obtain a minimum, mid and maximum position. Position 1 and 2 can be adjusted to environmental requirements.

Two types are available: SMT-D-3P without and SMT-D-4P with off-position.

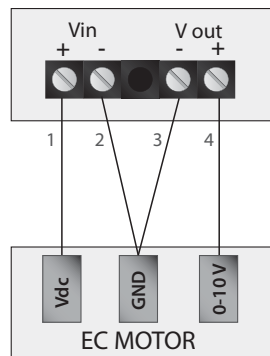
Thanks to their splashproof casing (IP44/54), for surface-mounting as well as for flush-mounting, they can be used in most demanding circumstances (e.g. for humid environments such as kitchens or bathrooms). When developing this switch special attention was paid to design and duration of life.

FEATURES

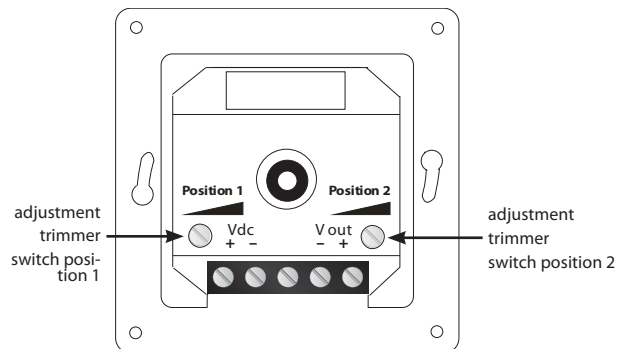
- Inset mounting: IP44/surface mounting: IP54
- Plastic enclosure external: ASA, RAL 9010 white-ivory, internal: polyamide according to IEC 60335

	SMT-D-3P-EL	SMT-D-4P-EL	SMT-D-4P-EM
Supply	10 Vdc	10-15 Vdc	10 Vdc
Consumption	< 1 mA	max 100 mA	< 1 mA
Pos. 0	-	stop	stop
Pos. 1	3 - 7 Vdc	3-6 Vdc/100 mA	3 - 7 Vdc
Pos. 2	5 - 9 Vdc	6-8 Vdc/100 mA	5 - 9 Vdc
Pos. 3	10 Vdc	supply voltage /100 mA	10 Vdc

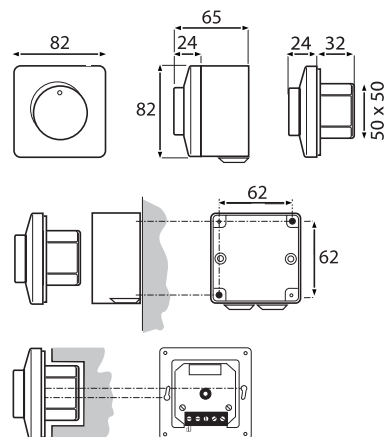
WIRING DIAGRAM



- 1: voltage supply max. 1.1 mA
 2-3: GND
 4: control output in 3 steps



DIMENSIONS & FIXING



	net weight	gross weight
SMT-D-3P-EL	145 g	175 g
SMT-D-4P-EL	145 g	175 g
SMT-D-4P-EM	145 g	175 g