



MTP | potentiometer

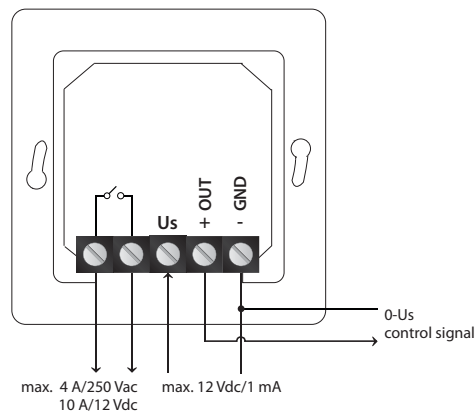
Potentiometer for external setting of controllers with 0-10 V input and voltage supply U_s (max. 12 Vdc/1 mA). The desired output voltage is adjusted steplessly from 0 to supply voltage V by the rotary button.

Additional switch function e.g. for controller enable on/off. Can be used for inset mounting as well as for surface mounting.

FEATURES

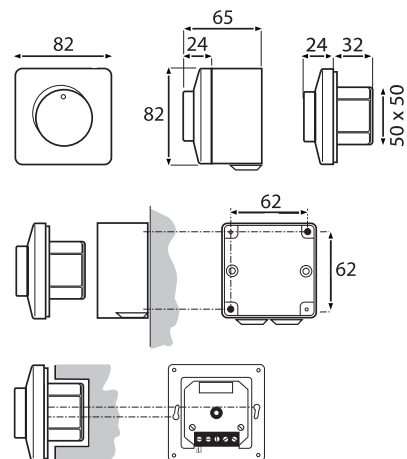
- Resistor 10 k Ω (-20 % / +20 %)
- Switch rating: 4 A/250 Vac-10 A/12 Vdc
- Interference emission in accordance with EN61000-6-3/Interference immunity in accordance EN 61000-6-2
- Inset mounting IP44/surface mounting IP54
- Enclosure external: plastic, ASA, RAL 9010 white-ivory/internal: polyamide according to IEC 60335
- Max ambient temperature: 35 °C

WIRING DIAGRAM



U_s supply voltage
(max. 12 Vdc/1 mA)
+ OUT output voltage 0... U_s
(max. output voltage depends on applied supply voltage ' U_s ')
- GND ground

DIMENSIONS & FIXING



order code	net weight	gross weight
MTP-X10K-NA	140 g	165 g