

Air valve to fire damper coupling module

FDA-BU-RML



Description

The FDA-BU-RML coupling module is a combination of an air valve and a fire damper, coupled with a single housing. This is an alternative to typical fire valves. The main advantages of the FDA-BU-RML are better fire rating and a smaller size with more product configurations and application options. The main component of the coupling module is the CFDM fire damper. The fire damper is available in Ø 100, 125, 160, and 200 mm. The wing blade of the damper provides a very low resistance to the air flow. The fire damper can be ordered with one or two optional limit switches to feed back the actual blade position.

The FDA-BU-RML coupling modules match the most popular versions of air supply or exhaust valves which can be replaced with one another, even with the coupling module installed in a partition or already in use. The entire coupling module is compact. As a result, the air valves with the mounting frames cannot exceed 50 mm in height. This sizing requirements are met by these air valves: KW, KWI, KW-K, KWV, KN, KNI, KNV, and KN-K, and mounting frames: RM, RMI, and RML.

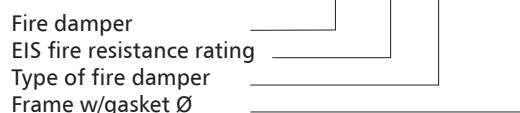
Note: Air valves are sold separately.

The FDA-BU-RML coupling modules are intended for installation in fire partitions, either walls or separating floors. The coupling module is installed in a partition just like a typical fire valve: an installation opening must be made, the coupling module must be fitted in the opening, and the gaps must be sealed with fire-proof material having appropriate fire resistance.

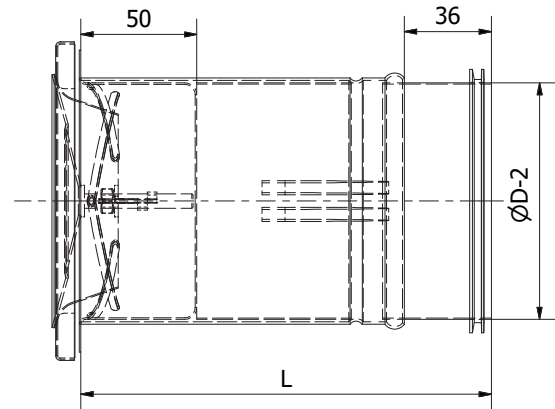
Note: The fire resistance rating EIS 120, EIS 90 and EIS 60 is represented respectively as follows in product codes: 12, 09 and 06.

Product code example

Product code: **FDA - 09 - BU - RML-100**

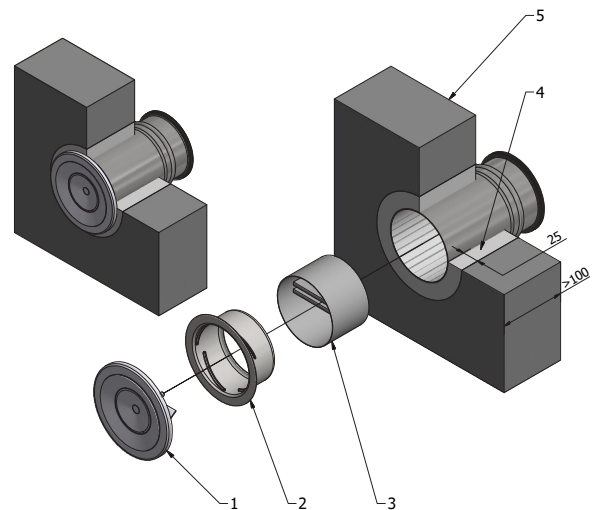


Dimensions



ØD (mm)	Length L (mm)
100	170
125	170
160	180
200	207

Design



1. Air supply or air exhaust valve
2. Mounting frame
3. CFDM fire damper in RML casing
4. Seal: concrete or gypsum mortar
5. Fire partition

Air valve to fire damper coupling module

FDA-BU-RML

Tests and certificates

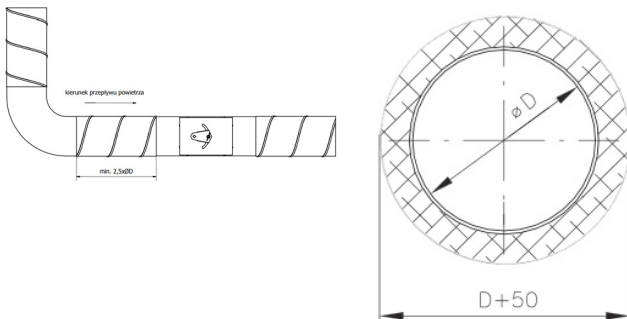
- Fire resistance rating: EIS 120, EIS 90, EIS 60,
- Test method as per EN 1366-2, classification method as per EN 13501-3+A1,
- Corrosion resistance as per EN 15650,
- EC declaration of conformity (EN 15650).

Installation

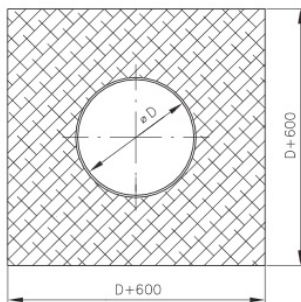
The coupling modules can be installed in:

- robust walls made from e.g. concrete units, solid brick, and cellular concrete units, with a minimum thickness of 100 mm;
- separating floors made of e.g. reinforced concrete with a minimum thickness of 100 mm and reinforced cellular concrete slabs with a minimum thickness of 125 mm;
- gypsum board walls on steel frames with fire resistance rated at EI 120 or EI 90.

Installation openings to be sealed in typical robust partitions:



Installation openings to be sealed in gypsum board walls on steel frames:



See the CFDM Operating and Maintenance Manual (TPM 118/16) for all information about wing-blade fire dampers and related installation options.

Matching air valves

The FDA-BU-RML coupling modules match the most popular versions of air supply or exhaust valves which can be replaced with one another, even with the coupling module installed in a partition or already in use. The entire coupling module is compact. As a result, the air valves with the mounting frames cannot exceed 50 mm in height. This sizing requirements are met by these air valves: KW, KWI, KW-K, KWV, KN, KNI, KNV, and KN-K, and mounting frames: RM, RMI, and RML.

Note: Air valves are sold separately.

